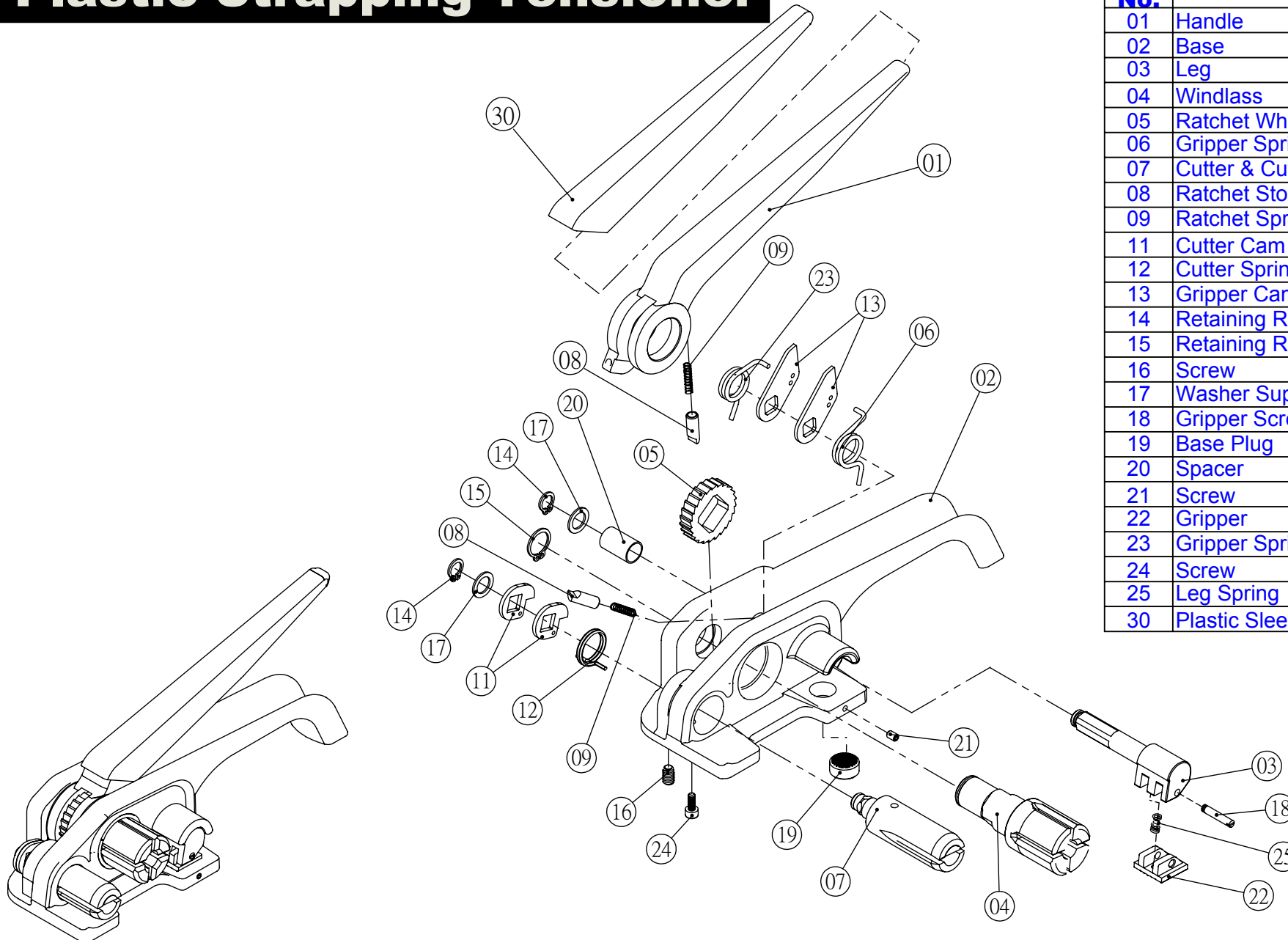


Plastic Strapping Tensioner



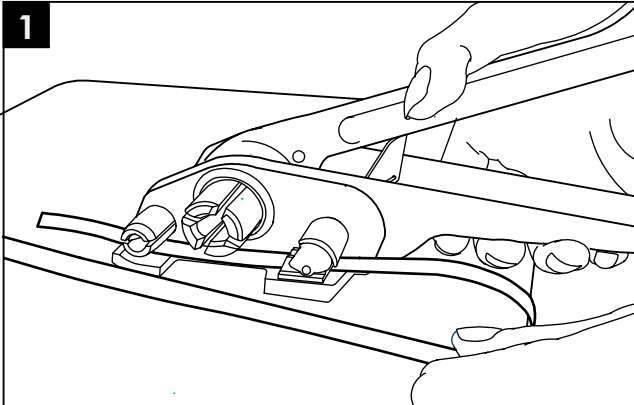
Part No.	Part Name	QTY
01	Handle	1
02	Base	1
03	Leg	1
04	Windlass	1
05	Ratchet Wheel	1
06	Gripper Spring(L)	1
07	Cutter & Cutter Housing	1
08	Ratchet Stop	2
09	Ratchet Spring	2
11	Cutter Cam	2
12	Cutter Spring	1
13	Gripper Cam	2
14	Retaining Ring	2
15	Retaining Ring	1
16	Screw	1
17	Washer Support	2
18	Gripper Screw	1
19	Base Plug	1
20	Spacer	1
21	Screw	1
22	Gripper	1
23	Gripper Spring(R)	1
24	Screw	1
25	Leg Spring	1
30	Plastic Sleeve	1

YYP260-01 V3 1-2

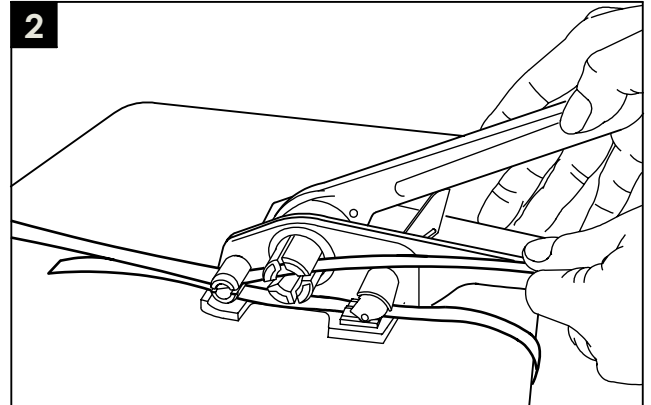
Keep tool well oiled and clean. Please order parts by number and name.

Plastic Strapping Tensioner

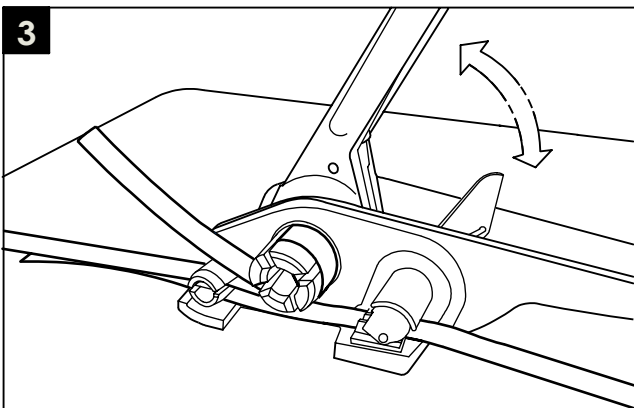
OPERATING INSTRUCTIONS



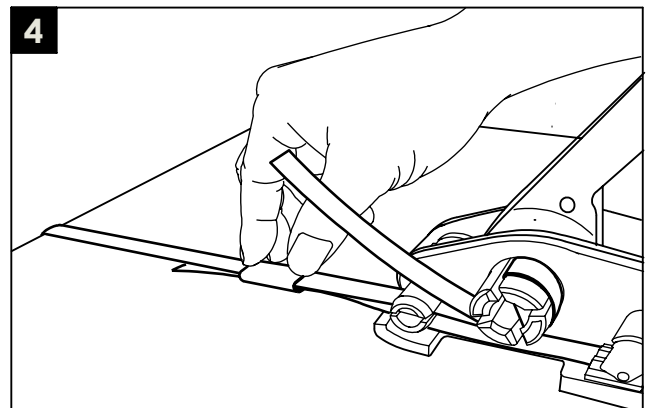
1
Wrap the strap around the container as shown. Squeeze handle and body together to lift the leg so the strap can be placed under the gripper plate and cutter.



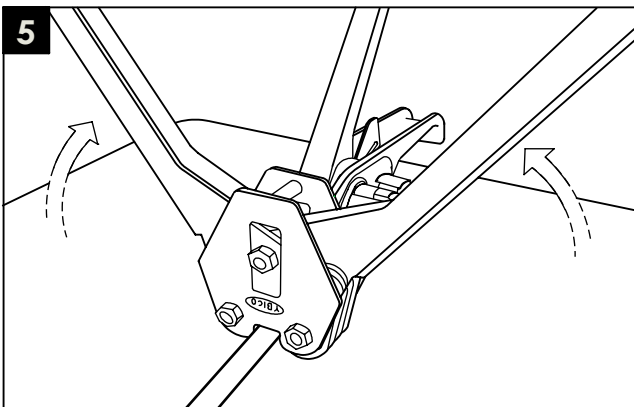
2
Release the handle and base to secure strap. Feed the other end of strap through the slot of cutter and windlass. Pull strapping as tight as possible by hand.



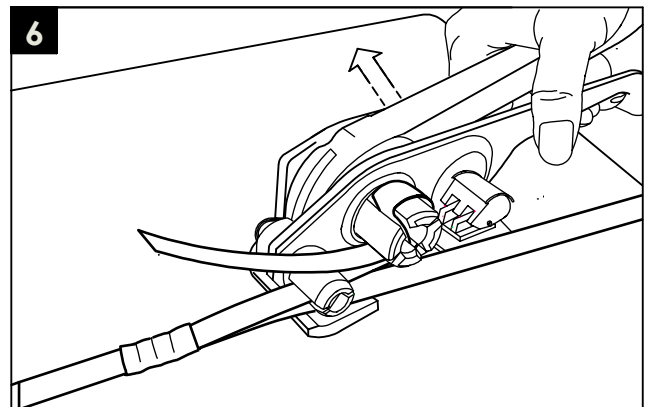
3
Hold the tool with left hand. Move handle back and forth until strapping has reached desired tension.



4
Place seal open side down over both straps in front of the tool.



5
Open fully the sealer and place it on the top of seal. Close the sealer to crimp tightly the seal and strap.



6
Squeeze the handle and base together to cut the strap and then slide the tool to the right.