

9. SPARE PARTS

ACCESSORIES	Q'TY
Working Board	1
Working Adjust Bracket	1
Heating Wire	2
Fuse	6.3Ax1 or 10Ax1 or 20Ax1

10. SPECIFICATIONS

MODEL No.	300/ 305/ 3010FI	450/ 455/ 4510FI	600/ 605/ 6010FI	800/ 805FI
Max. Seal Length	300mm (12")	450mm (18")	600mm (24")	800mm (32")
Seal Width	2.4/ 5.0/ 10mm	2.4/ 5.0/ 10mm	2.4/ 5.0/ 10mm	2.4/ 5.0mm
Max. Seal Thickness	2x0.25mm	2x0.25mm	2x0.25mm	2x0.25mm
Heat Timer	0.3-2.2sec	0.3-2.2 sec	0.3-2.2 sec	0.3-2.2 sec
Watts (W)	450/900/1100W	600/1200/1500W	840/1500/1900W	1100/1800W
Weight (Kg)	20/21/22	22/23/24	24/25/26	26/29
Dimension(WxDxH)	36x36x90cm	51x37x90cm	66x39x90cm	86x42x90cm

IMPULSE FOOT SEALER

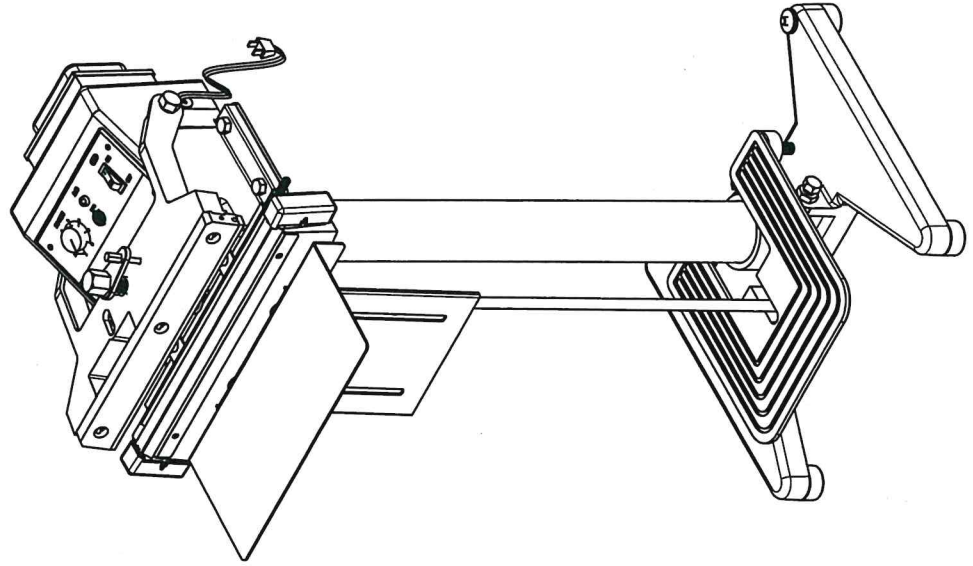
300FI, 450FI, 600FI, 800FI

305FI, 455FI, 605FI, 805FI

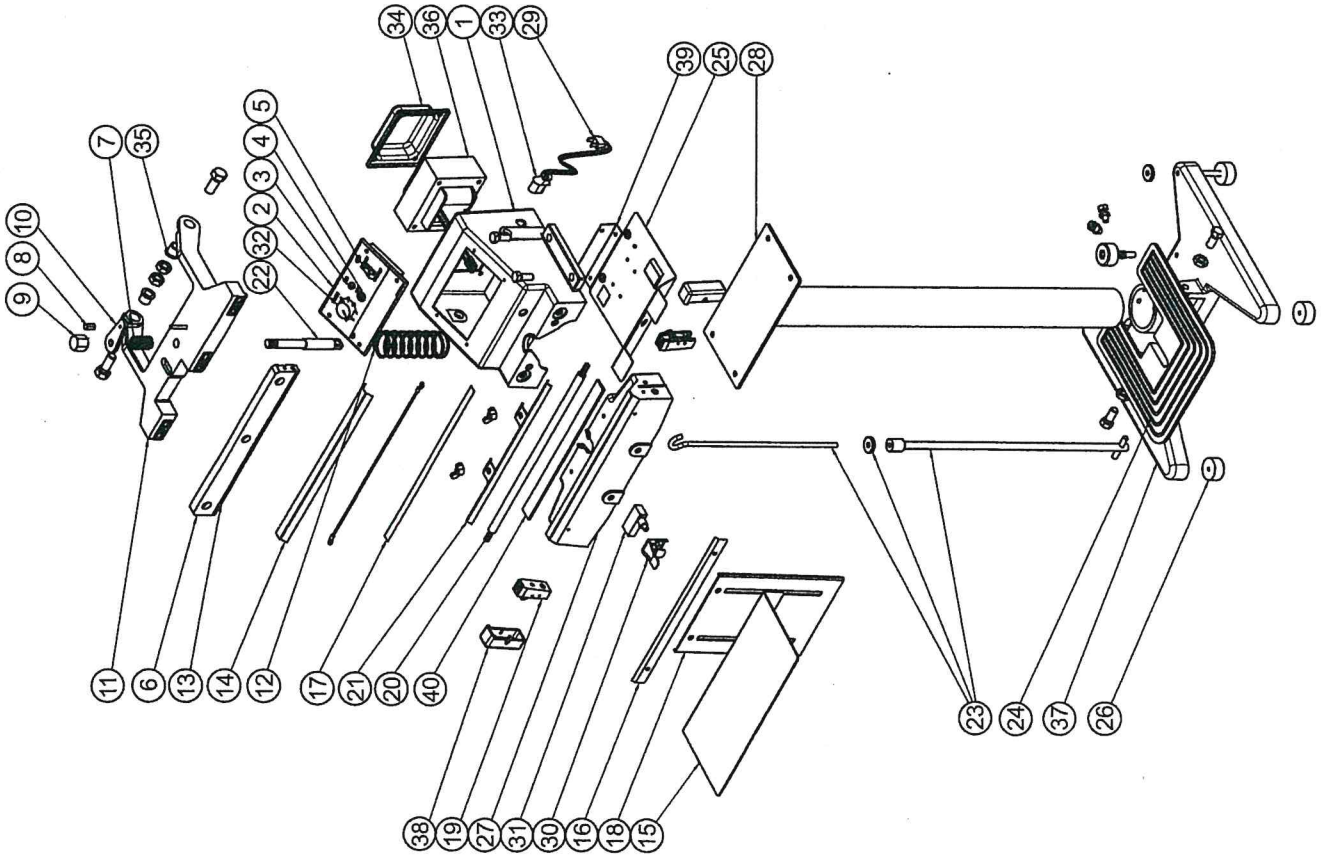
3010FI, 4510FI, 6010FI

(310FL, 410FL, 610FL)

INSTRUCTION MANUAL



1. CONSTRUCTION DIAGRAM



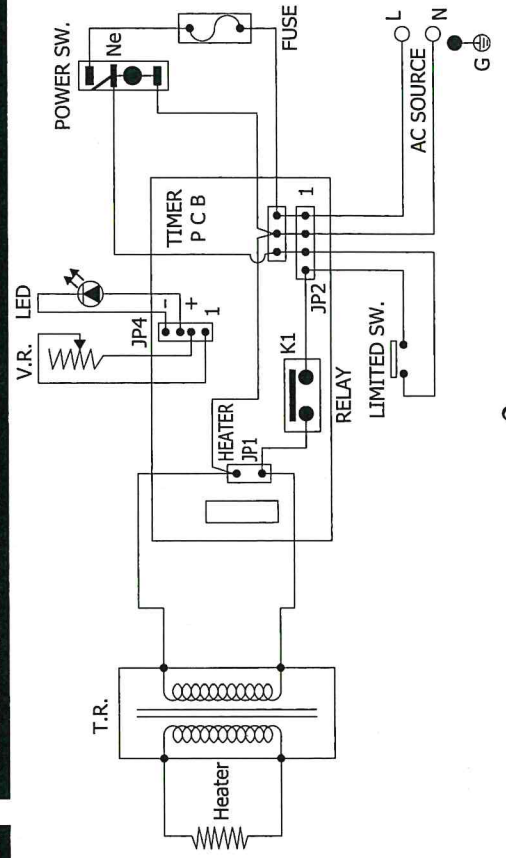
1.

2. PARTS LIST

No	DESCRIPTION	PART No	No	DESCRIPTION	PART No
1	Enclosure Body	2B10-4003	21	Clip for PTFE Cloth	1C10-3013*
2	Control Timer	2F80-4102*	22	Upper Lever	1D10-4003
3	Sealing LED Lamp	1E40-3001	23	Tension Rod Set	1D10-4002
4	Fuse Holder	1E70-4002	24	Foot Pedal	2B30-4002
5	Power Switch	1E10-2002*	25	Bottom Cover	1C10-4001
6	Sealing Rubber Holder	1B10-4114*	26	Rubber Foot	1G10-4005
7	Pressing Spring	1R10-4002	27	Lower Sealing body	2B10-4006
8	Setting Bolt Nut	1D10-4008	28	Standing Tube	1C10-4035
9	Upper Lever Nut	1D10-4004	29	Power Plug	1E30-1005*
10	Fixing Lever Plate	1C10-4006	30	Interlock Set	1C10-4003
11	Upper Sealing Jaw	2B10-4004	31	Limited Switch	1E10-3004
12	Return Spring	1R10-4001	32	Timer Control Knob	1A10-1034
13	Sealing Silicon Rubber	1G20-3002*	33	Strain Relief Bushing	1A10-4001
14	PTFE Roll Cloth	1J50-3445*	34	Transformer Cover	1C10-4021
15	Working Board	1C10-3011*	35	Flange for Press Jaw	1A10-3005
16	PTFE Cloth Fixed Plate	1C10-3016*	36	Transformer	1E20-4204*
17	PTFE Strip	1J50-4422*	37	Pedal Base	2B30-4001
18	Working Adjust Bracket	1C10-4002	38	End Cover	1A10-3010
19	Heater Terminal Assembly	2A10-3005	39	Cover Bracket	1C10-4005
20	Bar for PTFE Cloth	1D10-3005*	40	Rubber Sheet	1G10-3005

*The model & sizes of parts will be selected

3. ELECTRIC CONNECTION DIAGRAM



2.