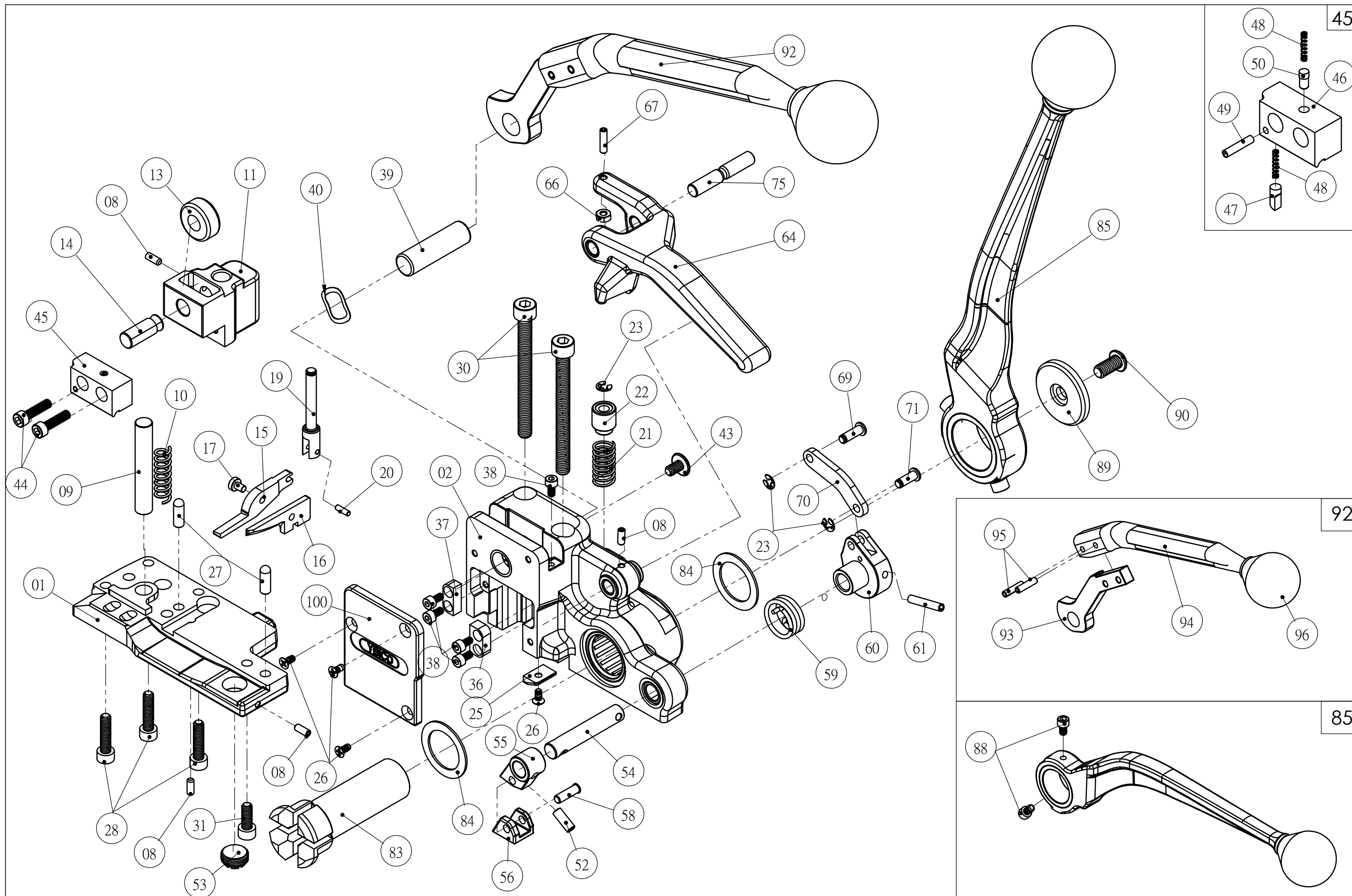


PET STRAPPING COMBINATION TOOL

YYPE104-01 V1



Keep tool well oiled and clean. Please order parts by number and name.

PET STRAPPING COMBINATION TOOL

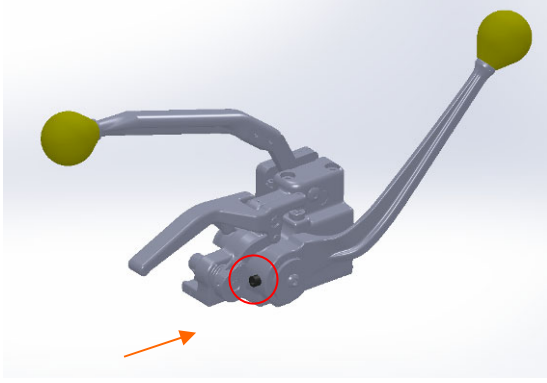
2/2

YYPE104-01 V1

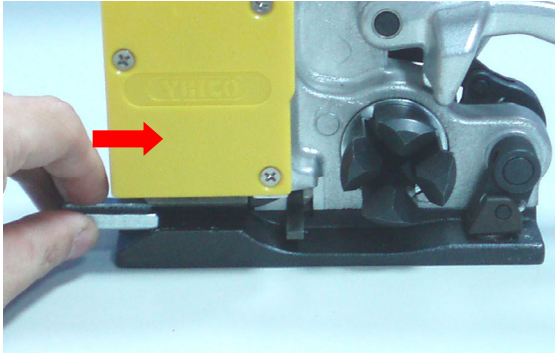
Part No.	Part Name	Qty	Part No.	Part Name	Qty	Part No.	Part Name	Qty
01	Base	1	28	Screw M6x25	3	61	Pin 4x26	1
02	Body	1	30	Screw M8x85	2	64	Cutter Handle	1
08	Screw M4x10	4	31	Screw M6x20	1	66	Nut M4	1
09	Slide Pillar	1	36	Left Guide	1	67	Screw M4x16	1
10	Slide Spring	1	37	Right Guide	1	69	Connector Pin	1
11	Slide	1	38	Screw M4x8	5	70	Link	1
13	Roller	1	39	Cam	1	71	Link Pin	1
14	Roller Pin	1	40	Special Washer	1	75	Cutter Handle Pin	1
15	Movable Cutter	1	43	Screw M6x10	1	83	Windlass	1
16	Stationary Cutter	1	44	Screw M5x20	2	84	Washer	2
17	Cutter Pin	1	45	Presser	1	85	Tensioning Handle	1
19	Stationary Pillar	1	52	Pin 5x14	1	88	Cap Screw M6	2
20	Stationary Pin	1	53	Base Plug	1	89	Handle Washer	1
21	Presser Spring	1	54	Leg	1	90	Screw M8x16	1
22	Spring Insert	1	55	Leg Head	1	92	Sealer Handle	1
23	Clip	3	56	Gripper	1	100	Cover	1
25	Stop	1	58	Foot Screw	1			
26	Screw M4x8	4	59	Leg Spring	1			
27	Base Pin	2	60	Connector	1			

Keep tool well oiled and clean. Please order parts by number and name.

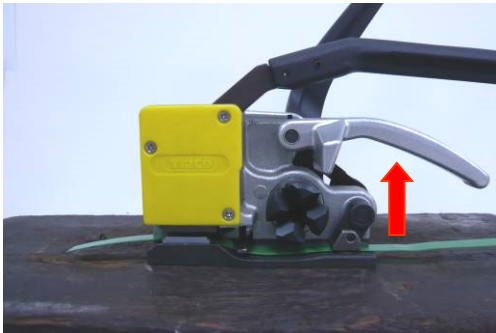
OPERATING INSTUCTIONS



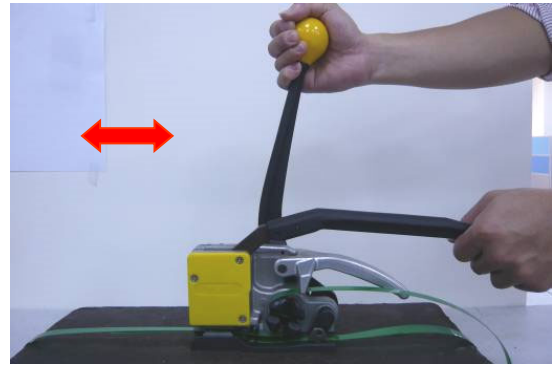
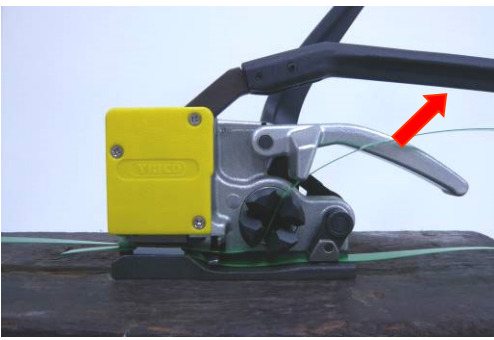
1. Install the M6 cap screw on the tensioning handle before use.



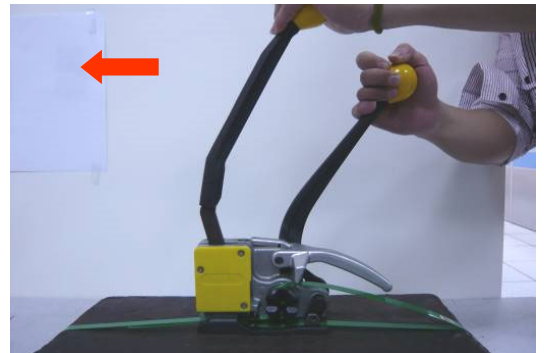
2. Slide a seal inside the slot of tool.



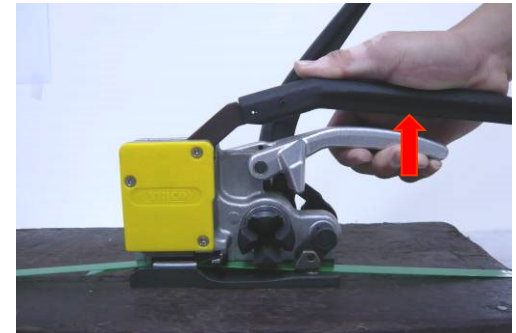
3. Put strap around the packed object and pull the cutter handle up to place the strap under the foot. Pass the strap through the seal and release the handle.



5. Move the tensioning handle back and forth to tighten the strap.



6. Hold the tensioning handle and push the sealer handle forward to close the seal.



7. Pull the cutter handle up to cut the strap. Slide the tool out to the right, and then release the handle.

SAFETY INSTRUCTIONS



1. Before using the tool, read the operating instructions carefully. Not using tool properly can cause serious injury or death.



2. Always wear eye, or face, and hand protection when operating the tool.



3. Do not put any part of your body between the strap and the package while operating the tool.



4. Dangerous breakage may occur due to excessive tensioning. Do not over tension the strap.

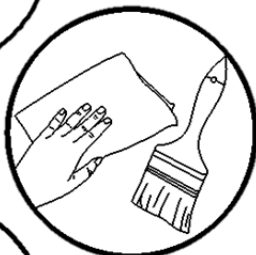


5. Do not stand in line with the strap while it is being tensioned. The strap could break if over tensioned.

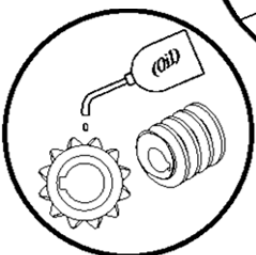
6. When cutting the strap, hold the upper portion and stand at a safe distance away from the strap, as the lower strap will spring up.



7. Always use the original replacement parts to ensure quality.



8. Clean the tool with brush or compressed air periodically.



9. Apply light machine oil to all moving parts.